



AVM2200T

ETS MARS



HD 1080P



DWDR



PoE



External I/O



Mobile Surveillance



2MP IR Bullet IP Camera

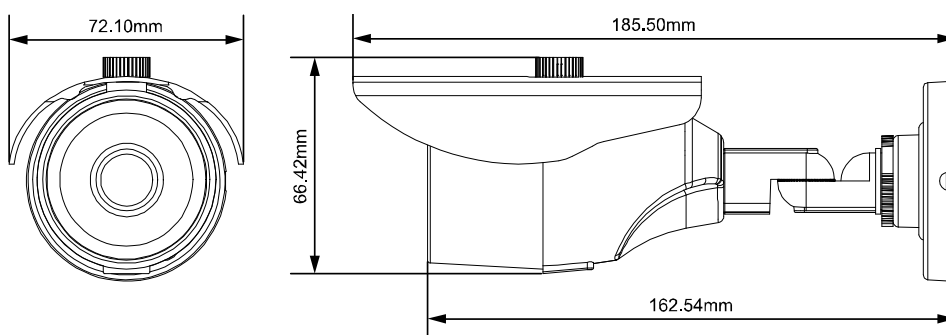
FEATURES

- **External alarm I/O device** connection



- **POE (Power-over-Ethernet)** support to eliminate the use of power cables and reduce installation costs
- **ONVIF** (**ONVIFS**) standard supported to simplify system integration
- **DWDR** to increase image recognizability in overexposure and dark areas
- IR effective range **up to 10 meters** for night surveillance
- **Waterproof** design on the Ethernet cable connector
- **Remote Surveillance**
 - **Fully compatible** with **iOS** and **Android** devices, and **Internet Explorer** on Windows operating system
 - Free PC program, **CMS Lite**, for 24CH devices monitoring on Windows operating system
 - **Push Video** available on your iOS and Android devices when used with Push Video NVR series.

DIMENSIONS



Dimensional tolerance: ± 5mm



SPECIFICATIONS

| ■ Network | |
|-----------------------------------|--|
| LAN Port | YES |
| LAN Speed | 10/100 Based-T Ethernet |
| Supported Protocols | DDNS, PPPoE, DHCP, NTP, SNTP, TCP/IP, ICMP, SMTP, FTP, HTTP, RTP, RTSP, RTCP, IPv4, Bonjour, UPnP, DNS, UDP, IGMP, QoS, SNMP |
| ONVIF Compatible | YES (Profile S) |
| Number of Online Users | 10 |
| Security | (1) Multiple user access levels with password (2) IP address filtering (3) Digest authentication |
| Remote Access | (1) Internet Explorer on Windows operating system (2) CMS Lite, 24CH CMS software for Windows operating system (3) EagleEyes on iOS & Android mobile devices |
| ■ Video | |
| Network Compression | H.264 (Main Profile) / MJPEG |
| Video Resolution | 1920 x 1080 / 1280 x 720 / 720 x 480 / 352 x 240 |
| Frame Rate | 30/25fps |
| Multiple Video Streaming | 4 (H.264 / MJPEG) |
| ■ General | |
| Image Sensor | 1/2.7" CMOS image sensor |
| Min Illumination | 0.1 Lux / F1.5, 0 Lux (IR LED ON) |
| Shutter Speed | 1/2 to 1/10,000 sec |
| S/N Ratio | More than 48dB (AGC off) |
| Lens | f3.8mm / F1.5 |
| Viewing Angle | 77° (Horizontal) / 45° (Vertical) / 88° (Diagonal) |
| IR LED | 12 Units |
| IR Effective Distance** | Up to 10 meters |
| IR Shift | YES |
| White Balance | ATW |
| AGC | Auto |
| IRIS Mode | AES |
| Sharpness | YES |
| DWDR | YES |
| POE | YES (IEEE 802.3af) |
| External Alarm I/O | YES (1 input / 1 output) |
| RAM | 20MB |
| Weather-proof | IP66 |
| Operating Temperature | -25°C ~ 50°C |
| Operating Humidity | Less than 60% relative humidity |
| Power Source (±10%) | 12V / 1A |
| Current Consumption (±10%) | 235mA (IR OFF) / 360mA (IR ON) |
| Power Consumption (±10%) | 5.4W (PoE & PoN) ; 4.32W (DC Adapter) |
| Net Weight (kg) | 0.25 |
| ■ Others | |
| Mobile Surveillance | iOS & Android mobile devices |
| Motion Detection | YES |
| Event Notification | FTP / Email / SMS |
| 3-Axis | YES |
| RTC (real-time clock) | YES |
| Digital Pan / Tilt / Zoom | YES |
| Minimum Web Browsing Requirements | <ul style="list-style-type: none"> • Intel core i3 or higher, or equivalent AMD • 2GB RAM • AGP graphics card, Direct Draw, 32MB RAM • Windows 10, Windows 8, Windows 7, Windows Vista & Windows XP, DirectX 9.0 or later • Internet Explorer 7.x or later (Windows Edge not supported) |